

4

3

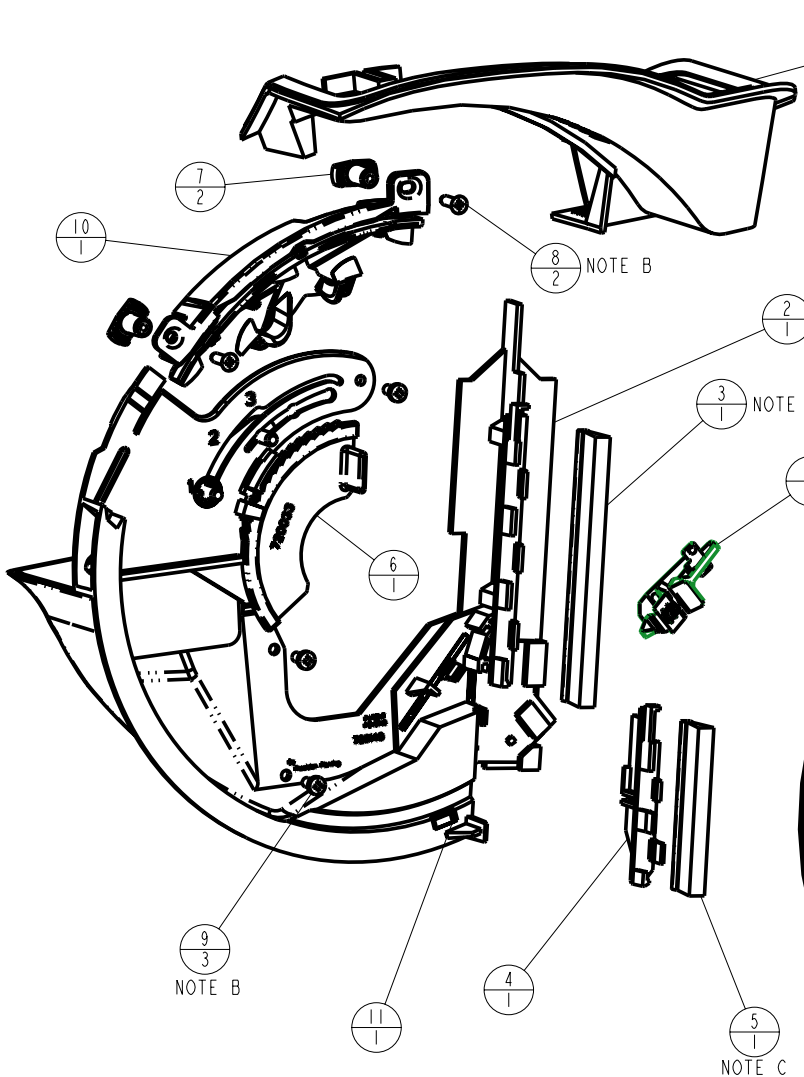
2

1

BILL OF MATERIALS				
ITEM	QUANTITY	PART NUMBER	PART NAME	DESCRIPTION
1	1	720003	DISK	ESET
2	1	720012	BRUSH HOLDER	eSet FIXED BRUSH
3	1	720013	BRUSH	STRIP
4	1	720023	BASE	MOVEABLE BRUSH
5	1	720024	BRUSH	STRIP
6	1	720033	WEDGE	LINER
7	2	720038	RETAINER	eSet SINGULATOR
8	2	720046	SCREW	eSet SINGULATOR
9	3	720068	SCREW	eSet LINER
10	1	720116	SINGULATOR AS.	eSet
11	1	720149	LINER AS.	STD eSet
12	1	720155	VENT AS.	eSet STD SERIES
13	1	720185	THUMPER AS	eSet SEED PICK

ADDITIONAL PARTS REQUIRED IN HARDWARE PACK (PER 4 ROWS)		
1	720075	CENTER PUNCH
1	720078	DRILL BIT

SERVICE KITS		
PART NUMBER	KIT NUMBER	DESCRIPTION
720013	720061	KIT OF 4 EACH OF 720013 & 720024
720024	720061	KIT OF 4 EACH OF 720013 & 720024
720038	720045	TREE OF 8 PCS
720046	720151	HARDWARE PACKAGE OF SCREWS, PUNCH, & BIT (FOR 4 ROWS)
720048	720151	HARDWARE PACKAGE OF SCREWS, PUNCH, & BIT (FOR 4 ROWS)



NOTE A: THESE KITS ARE PACKAGED IN QUANTITIES OF 4 ROWS/KIT BUT STILL SOLD AS 1 ROW EACH.

NOTE B: THESE ITEMS ARE PART OF A HARDWARE PACKAGE

NOTE C: THESE ITEMS ARE PART OF A BRUSH KIT

UNSPECIFIED DIMENSIONAL TOLERANCES
 ONE PLACE (.X) ±0.060
 TWO PLACES (.XX) ±0.030
 THREE PLACES (.XXX) ±0.010
 ANGLES ±1.0°

MATERIAL:
 ENGINEER: DAS
 DATE: 12/13/2006
 MASS LB=2.660

This drawing and its contents contains confidential and proprietary information of Precision Planting, Inc. and should not be used or disclosed except as authorized in writing by PrecisionPlanting, Inc.

Precision Planting, Inc.

TREMONT, ILLINOIS 61568

PART NAME: eSet KIT	Pro 1 Ver:12
STD SERIES	SIZE: C
PART NUMBER: 720134	REVISION:1
SCALE 3:4	INCH



4

3

2

1