

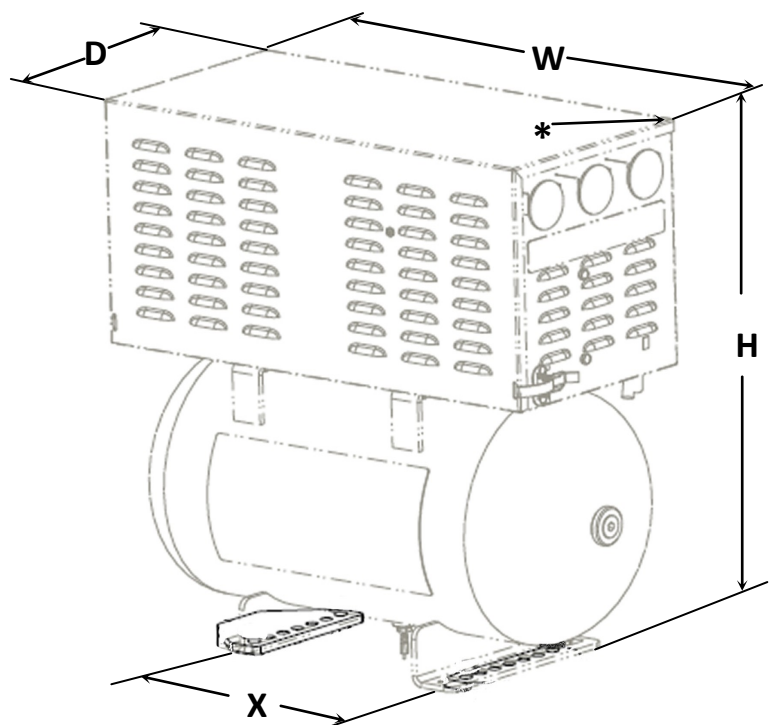
Compressor Mounting Bracket Guide

Part Number	Image	Description	Dimensions (inches)	
			Width (X)	Height (Y)
726050	A	U-Bolt	3	5
726051			3	6
726052			3	8
726053			4	6
726054			4	7
726055			5	7
726057			8	10
726397			4	4
726490			8	12
726059	N/A	Bolts Only	3/8 X 1-1/8	
726450	B	Universal (up to 9X10 Bars): Threaded Stud with Brackets		
726056	C	U-Bolt w/ Spacer Bracket	7	7
726058			8	8
726455			10	10
726500			7	4
726060	D	Angle Bracket	Kinze 3800	
726435	E		Kinze 3700	
726470	F	High Above Tube	N/A	
726515	G	Stand - Above Crossbar	N/A	
726612	H	Low, Side Mount	7	7
726613			8	8
726614			10	10
726398	I	J - Bolt	See Image	

Use the diagram to the right to identify possible mounting locations on your specific planter.

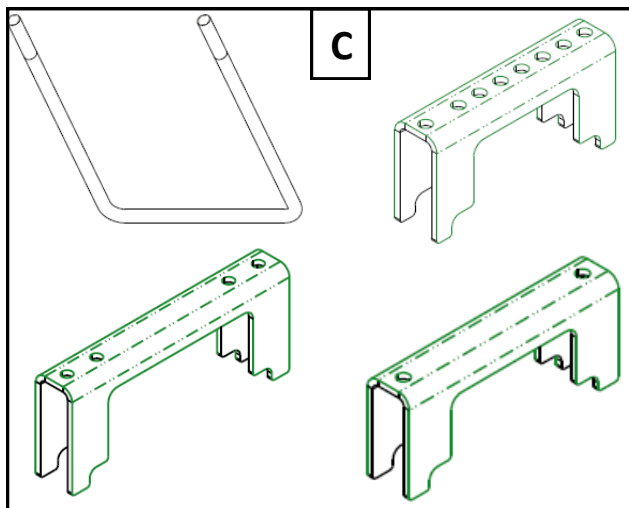
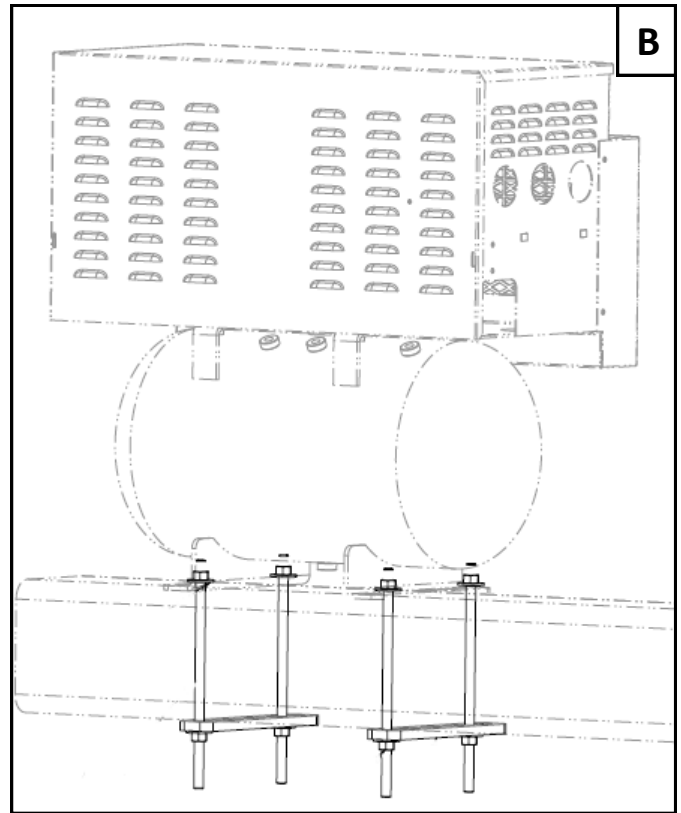
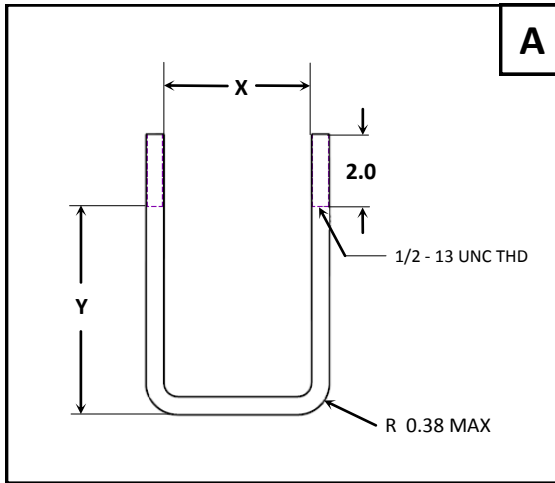
*Remember to allow room for the lid to open properly. Measure 15" vertically and 8" to the right of this point. *

The 'X' dimension is the spacing between the tank rail bolt holes, on center. The bolt holes are spaced 1" on center, with 1" slots at each end.



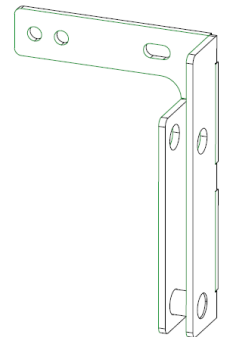
Dimensions (inches)

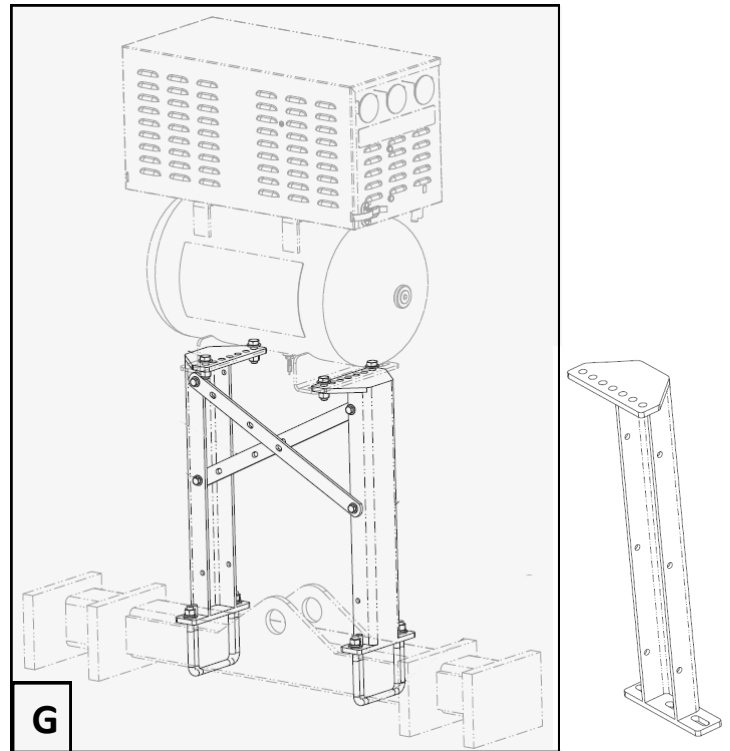
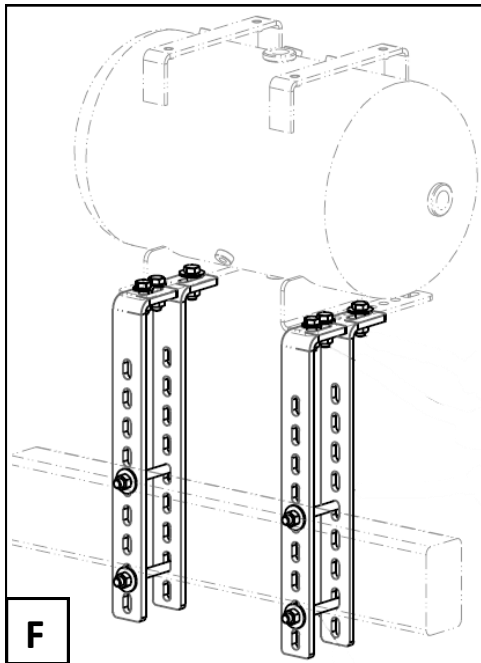
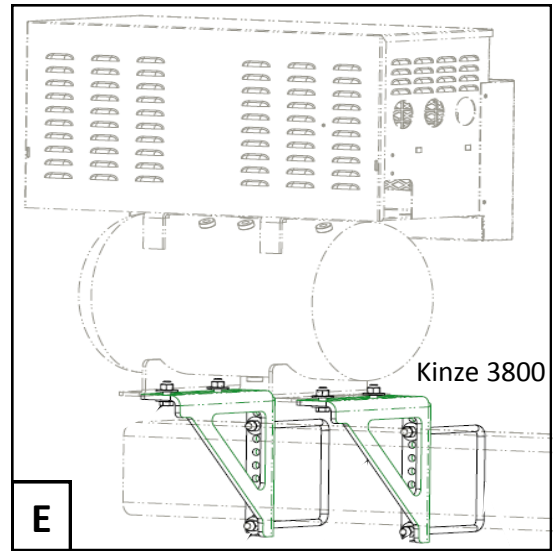
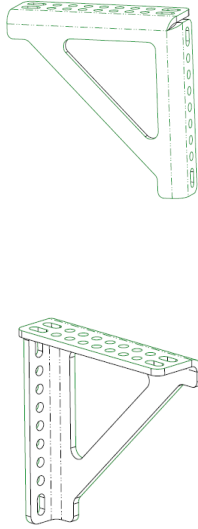
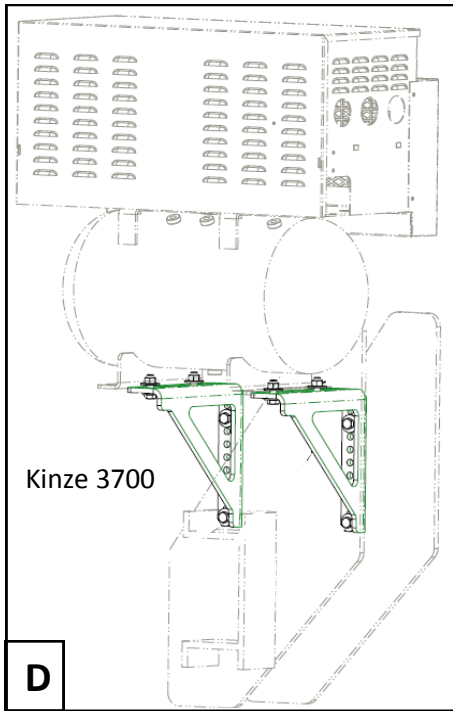
	H	W	D	X
Hydraulic	28.5	28.0	15.5	12.0
12V Electric	26.0	24.0	12.0	12.0



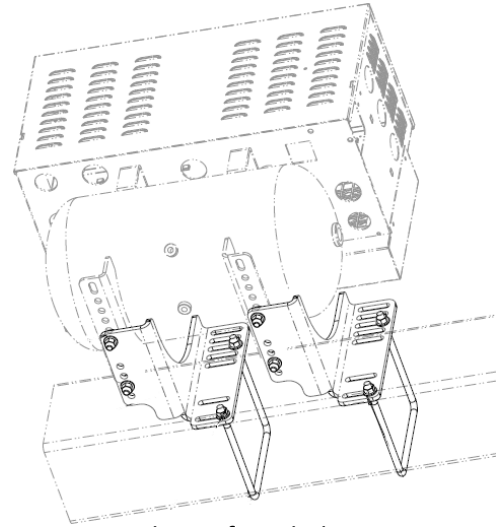
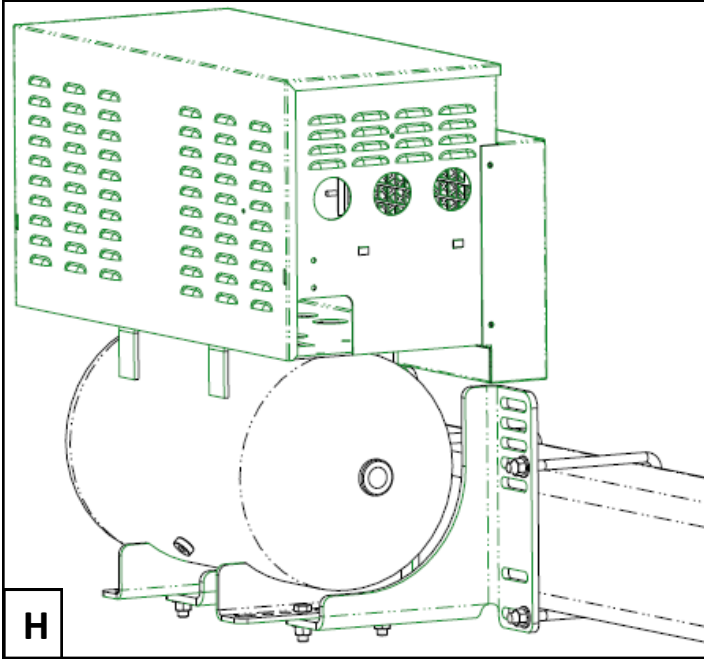
Mounting Kits corresponding with this kit will be a combination of a U-Bolt and Spacer bracket as shown at left.

For mounting on a Kinze planter, the bracket at right will be provided to relocate the Jack-Stand.



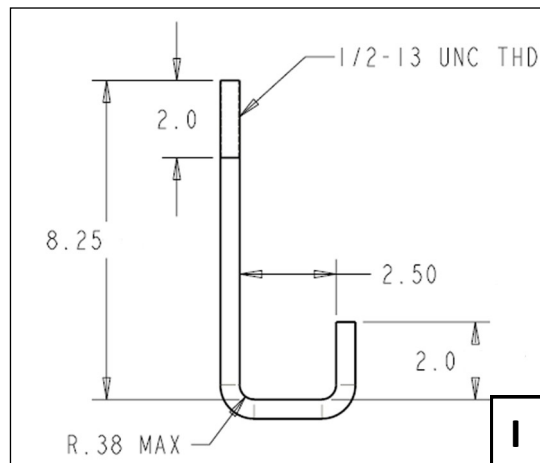
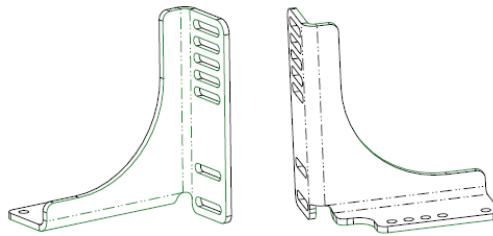


This mounting kit will consist of two of the brackets (shown above right), two straps, and two U-Bolts



Shown from below.

This mounting kit will locate the Compressor low and to the side of the main tongue. Used primarily for Kinze planters.



John Deere

PlanterModel	Description	Price	Comments	PartNumber
JD7000	Drawn Rigid Tongue - <20'	\$55.00		726055
	Drawn Folding Tongue	\$5.00		726059
	30' front fold	\$55.00	Preference - 1 - Above Draft Tube	726052
		\$125.00	Preference - 2 - Above Cross Bar	726515
		\$85.00	Preference - 3 - High Mount	726470
	40 or 60' wide front fold	\$55.00	Preference - 1 - Above Draft Tube	726050
		\$125.00	Preference - 2 - Above Cross Bar	726515
		\$85.00	Preference - 3 - High Mount	726470
JD7100	3pt Mounted	\$100.00		726056
JD7200	Drawn, folding tongue < 20'	\$55.00		726055
	Drawn Folding Tongue	\$5.00		726059
	30' front fold	\$55.00	Preference - 1 - Above Draft Tube	726052
		\$125.00	Preference - 2 - Above Cross Bar	726515
		\$85.00	Preference - 3 - High Mount	726470
	40 or 60' wide front fold	\$55.00	Preference - 1 - Above Draft Tube	726050
		\$125.00	Preference - 2 - Above Cross Bar	726515
		\$85.00	Preference - 3 - High Mount	726470
JD7240	Drawn, folding tongue < 20'	\$5.00		726059
JD7300	3pt Vertical fold or rigid frame	\$100.00		726056
	3pt Stacker	\$100.00	Preference - 1 - Above the 7x7 Bar	726056
		\$125.00	Preference - 2 - In front of 7x7 bar	726060
		\$125.00	Preference - 3 - Non-standard/Custom	726450
JD1700	3pt Rigid	\$100.00	Preference - 1 - Above the 7x7 Bar	726056
		\$125.00	Preference - 2 - In front of 7x7 bar	726060
JD1710	3pt Vertical Fold	\$100.00	Preference - 1 - Above the 7x7 Bar	726056
		\$125.00	Preference - 2 - In front of 7x7 bar	726060
JD1720	3pt Stack Fold	\$100.00	Preference - 1 - Above 7x4 bar	726500
		\$100.00	Preference - 2 - Above 7x7 bar	726056
		\$125.00	Preference - 3 - Non-standard/Custom	726450
JD1730	Rigid Narrow Row			None
JD1750	Drawn, folding tongue < 20'	\$5.00		726059
JD1760	Wing Fold	\$55.00		726057
JD1760NT		\$55.00		726057
JD1770	30' front fold	\$55.00	Preference - 1 - Above Draft Tube	726052
		\$125.00	Preference - 2 - Above Cross Bar	726515
		\$85.00	Preference - 3 - High Mount	726470
	40 or 60' wide front fold	\$55.00	Preference - 1 - Above Draft Tube	726050
		\$125.00	Preference - 2 - Above Cross Bar	726515
		\$85.00	Preference - 3 - High Mount	726470
JD1770NT	Front Fold	\$85.00	Preference - 1 - High Mount	726470
		\$85.00	Preference - 1 - Rear Center Mount	726490
		\$55.00	Preference - 2 - Above 3x5 bar	726050
		\$125.00	Preference - 3 - Above cross bar	726515

John Deere

PlanterModel	Description	Price	Comments	PartNumber
JD1780	Drawn, folding tongue < 20'	\$5.00		726059
	30' front fold	\$55.00	Preference - 1 - Above Draft Tube	726053
	40 or 60' wide front fold	\$55.00	Preference - 1 - Above Draft Tube	726053
		\$85.00	Preference - 2 - High Mount	726470
JD1790	12V 30' front fold	\$55.00	Preference - 1 - Above Draft Tube	726050
		\$125.00	Preference - 2 - Above Cross Bar	726515
		\$85.00	Preference - 3 - High Mount	726470
	12V 40 or 60' wide front fold	\$55.00	Preference - 1 - Above Draft Tube	726050
		\$125.00	Preference - 2 - Above Cross Bar	726515
		\$85.00	Preference - 3 - High Mount	726470
	HYD 30' front fold	\$85.00	Preference - 1 - Rear Center Mount	726490
		\$55.00	Preference - 2 - Above Draft Tube	726050
		\$125.00	Preference - 3 - Above Cross Bar	726515
	HYD 40 or 60' wide front fold	\$85.00	Preference - 1 - Rear Center Mount	726490
		\$55.00	Preference - 2 - Above Draft Tube	726050
		\$125.00	Preference - 3 - Above Cross Bar	726515
DB44	HYD	\$55.00	Preference - 1 - Above Draft Tube	726051
		\$85.00	Preference - 1 - Rear Center Mount	726490
		\$85.00	Preference - 2 - High Mount	726470
DB58	HYD	\$55.00	Preference - 1 - Above Draft Tube	726051
		\$85.00	Preference - 1 - Rear Center Mount	726490
		\$85.00	Preference - 2 - High Mount	726470
DB60	HYD	\$55.00	Preference - 1 - Above Draft Tube	726051
		\$85.00	Preference - 1 - Rear Center Mount	726490
		\$85.00	Preference - 2 - High Mount	726470
DB66	HYD	\$55.00	Preference - 1 - Above Draft Tube	726051
		\$85.00	Preference - 1 - Rear Center Mount	726490
		\$85.00	Preference - 2 - High Mount	726470
DB80	HYD	\$55.00	Preference - 1 - Above Draft Tube	726051
		\$85.00	Preference - 1 - Rear Center Mount	726490
		\$85.00	Preference - 2 - High Mount	726470
DB88	HYD	\$55.00	Preference - 1 - Above Draft Tube	726053
		\$85.00	Preference - 1 - Rear Center Mount	726490
		\$85.00	Preference - 2 - High Mount	726470
DB90	HYD	\$55.00	Preference - 1 - Above Draft Tube	726053
		\$85.00	Preference - 1 - Rear Center Mount	726490
		\$85.00	Preference - 2 - High Mount	726470
DB120	HYD	\$55.00	Preference - 1 - Above Draft Tube	726053
		\$85.00	Preference - 1 - Rear Center Mount	726490
		\$85.00	Preference - 2 - High Mount	726470

Kinze

Planter Model	Description	Price	Comments	Part Number
Rear Fold	Rear Fold	\$55.00		726397
2000	2 tube tongue	\$125.00		726398
2100	Rigid	\$100.00		726056
2200	Wing Fold	\$65.00		726054
2300	Twinline	\$100.00	Preference - 1 - Above 7x7 bar	726056
		\$125.00	Preference - 2 - Offset from 7x7 bar	726612
2500	Twinline	\$100.00	Preference - 1 - Above 7x7 bar	726056
		\$125.00	Preference - 2 - Offset from 7x7 bar	726612
2600	Twinline 30' Bar	\$125.00	Preference - 1 - Above 8x8 bar	726058
		\$125.00	Preference - 2 - Offset from 8x8 bar	726613
	Twinline 40' Bar	\$125.00	Preference - 1 - Above 10x10 bar	726455
		\$125.00	Preference - 2 - Offset from 10x10 bar	726614
2700	Front Fold	\$125.00		726435
3000	2 tube tongue	\$125.00		726398
3110	Rigid	\$100.00		726056
3200	Wing Fold	\$65.00		726054
3400	Twinline	\$100.00	Preference - 1 - Above 7x7 bar	726056
		\$125.00	Preference - 2 - Offset from 7x7 bar	726612
3500	Twinline	\$100.00	Preference - 1 - Above 7x7 bar	726056
		\$125.00	Preference - 2 - Offset from 7x7 bar	726612
3600	Twinline 30' Bar	\$125.00	Preference - 1 - Above 8x8 bar	726058
		\$125.00	Preference - 2 - Offset from 8x8 bar	726613
	Twinline 40' Bar	\$125.00	Preference - 1 - Above 10x10 bar	726455
		\$125.00	Preference - 2 - Offset from 10x10 bar	726614
3700	Front Fold	\$125.00		726435
3800	Front Fold	\$125.00	See image on following pages	726060
3120	3pt Vertical Fold	\$100.00	Preference - 1 - Above 7x7 bar	726056
		\$125.00	Preference - 2 - Offset from 7x7 bar	726060
3140	3pt Stack Fold	\$100.00	Preference - 1 - Above 7x7 bar	726056
		\$125.00	Preference - 2 - Offset from 7x7 bar	726060
3650	Twinline 30' Bar	\$125.00	Preference - 1 - Above 8x8 bar	726058
		\$125.00	Preference - 2 - Offset from 8x8 bar	726613
	Twinline 40' Bar	\$125.00	Preference - 1 - Above 10x10 bar	726455
		\$125.00	Preference - 2 - Offset from 10x10 bar	726614
3660	Twinline 30' Bar	\$125.00	Preference - 1 - Above 8x8 bar	726058
		\$125.00	Preference - 2 - Offset from 8x8 bar	726613
	Twinline 40' Bar	\$125.00	Preference - 1 - Above 10x10 bar	726455