

Service Bulletin:

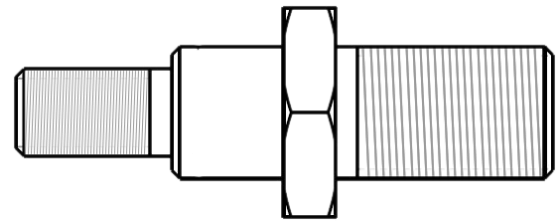
AirForce Brackets in Lift Conversion Kit 726525 for JD 17XX/72XX/73XX planters model year 2011+

February 24th, 2011



Installation instructions update including modification of existing bracket 726551 and replacement of 726135 AirSpring Connector Stud

What's included: AirSpring Connector Stud - Metric
(726706)

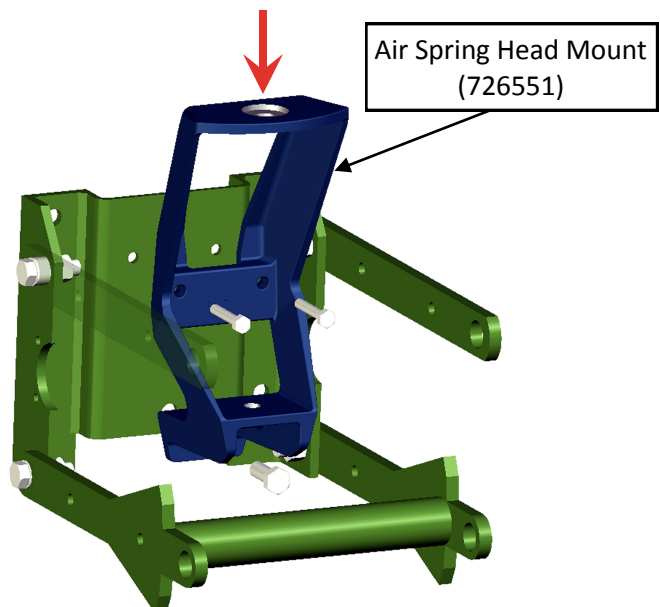


Additional Tools required: 7/8" drill bit
drill or drill press

Modification of existing 726551 AirSpring Head Mount brackets

On model year 2011+ JD planters 17XX/7200/7300 the OEM JD airspring has changed from previous model years. The pneumatic fittings into the top stud of the airspring have changed from 1/8" NPT X 1/4" PTC to 1/4" NPT" X 3/8" PTC. To accommodate this change, the top stud of the airspring has been enlarged. These larger airspring studs do not fit into Precision Planting AirSpring Head Mount brackets (726551) that have not been retrofitted. New production and existing in-house inventory, as of January 2011, of the 726551 bracket are being retrofitted to accommodate this new airspring. For 726551 brackets, being installed on the affected planters, that have not been retrofitted, this can be easily accomplished in the field using a 7/8" drill bit to ream the hole wide enough to accommodate the larger airspring stud. This may be completed as installed on the planter planter or prior to installation using a standard drill or drill press.

Contact your Precision Planting representative for further information if this situation applies to your install.

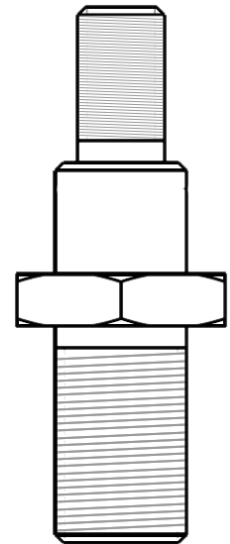


Replacement of AirSpring Connector Stud - 726135 (SAE) with 726706 (Metric)

A second impact to the OEM airspring changes is the move to metric threads into the base of the airspring. To accommodate these new thread styles on affected planters replace the 726135 connector stud with the supplied 726706 for Metric threads. New production and in-house inventory, as of January 2011, of the 726595 hardware kit (supplied with each 726525 Lift Conversion Kit) will include both SAE and Metric Airspring Connector Studs. For planters made:

Prior to MY2011: Use the yellow plated connector stud, part number 726135. This connector has SAE 1/2-13 UNC threads to match the airsprings used on those model year planters.

MY2011 and after: Use the clear plated connector stud, part number 726706. This connector has Metric M12 X 1.75 ISO threads to match the airsprings used on those model year planters.



If you are unsure of the model year of your planter, one simple means of identifying 2011+ planters is the use of 3/8" tubing to/between the airsprings. Planters made prior to MY2011 will have 1/4" tubing to/between the airsprings.

If you are still unsure as to which connector to use, you can verify your planters model year with your local John Deere or Precision Planting dealers