

4

3

2

1

D

D

C

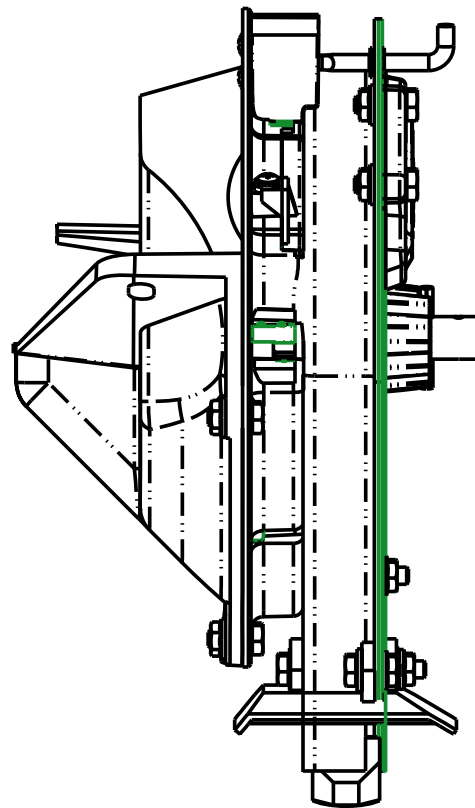
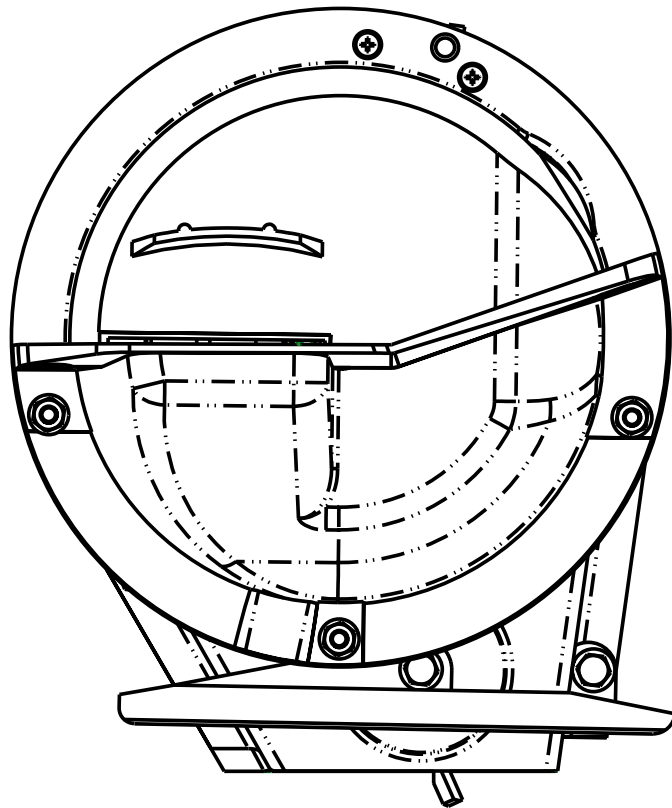
C

B

B

A

A



BILL OF MATERIALS			
ITEM	QUANTITY	PART NUMBER	PART NAME
1	3	33813	WASHER
2	2	95001	BOLT
3	4	95002	BOLT
4	2	95003	BOLT
5	1	95011	BOLT
6	1	342103	BACKING PLATE
7	1	343001	ROLLER
8	1	343002	HOUSING AS.
9	1	343005	COVER
10	1	343006	BUSHING
11	1	343014	SKIPSTOP
12	1	343019	BEARING AS.
13	1	343021	COVER
14	1	343029	FINGERSET
15	1	343060	LEVER AS.
16	1	343062	WHEEL
17	1	343066	BELT
18	1	343089	E-CLIP
19	1	01612010	PIN
20	1	31114H1041	NUT
21	3	31121H1295	SCREW
22	1	31134H286	ROLL PIN
23	1	31134H314	ROLL PIN
24	1	900M08	STICKER
25	1	A47532	COVER
26	1	A48666	BOOT
27	9	N10217	WHIZ NUT
28	3	R78498	SPACER

NOTE A: THESE PARTS BAGGED SEPARATELY AND SHIPPED WITH THE METER FOR INSTALLATION AT CUSTOMER DISCRETION.

UNSPECIFIED DIMENSIONAL TOLERANCES  
 ONE PLACE (.X) ±0.060  
 TWO PLACES (.XX) ±0.030  
 THREE PLACES (.XXX) ±0.010  
 ANGLES ± 1.0°

MATERIAL:

ENGINEER: DAS

DATE: 03/28/2007

MASS LB=

This drawing and its contents contains confidential and proprietary information of Precision Planting, Inc. and should not be used or disclosed except as authorized in writing by PrecisionPlanting, Inc.

ENGINEER: DAS

DATE: 03/28/2007

SCALE 0.75

**Precision Planting, Inc.**  
 TREMONT, ILLINOIS 61568

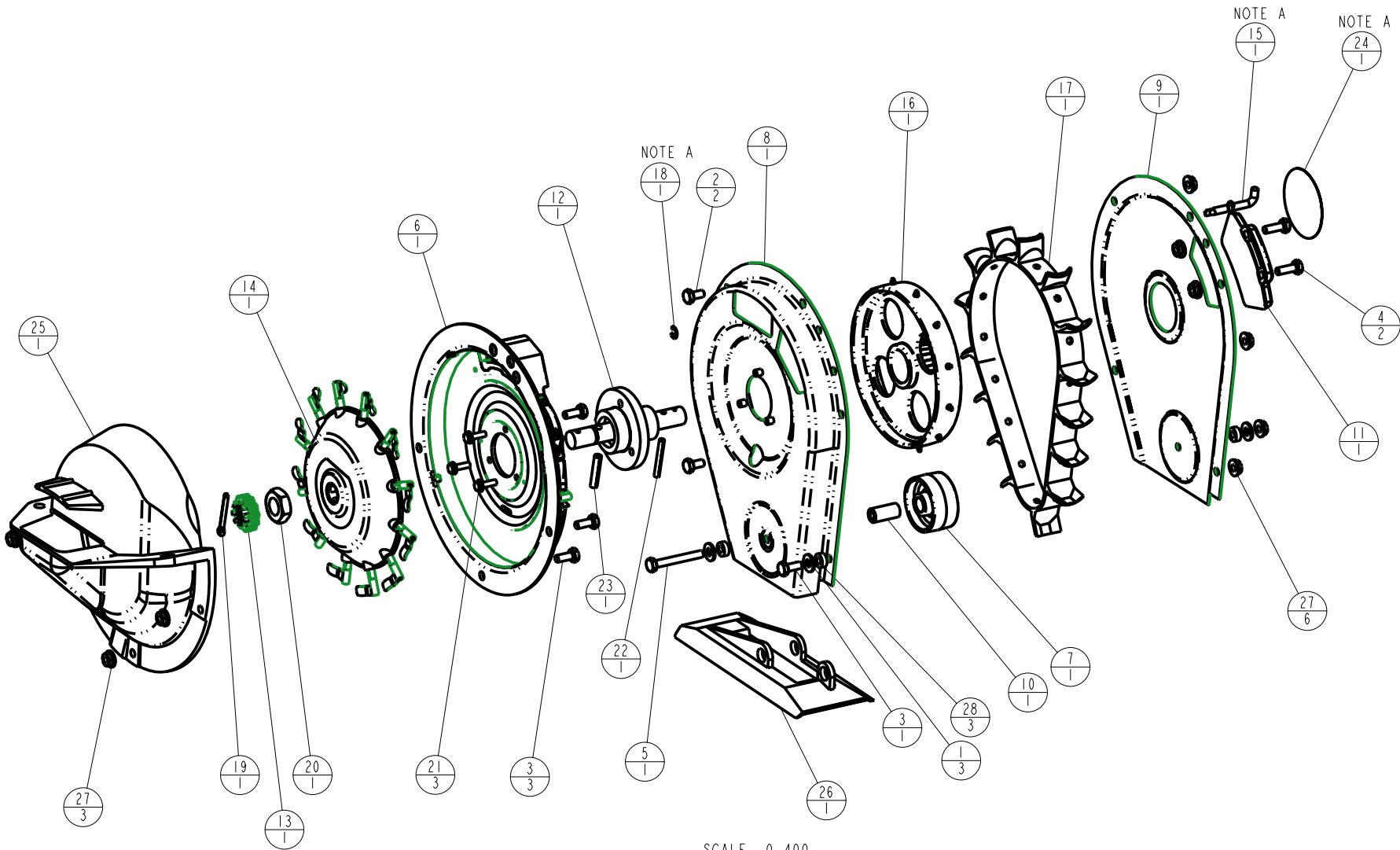
PART NAME: METER	Pro 1 Ver:1
JD 7200	SIZE: C
PART NUMBER: 343025	REVISION: 2
INCH	SHEET: 1/2

4

3

2

1



SCALE 0.400

UNSPECIFIED DIMENSIONAL TOLERANCES ONE PLACE (.X) ±0.060 TWO PLACES (.XX) ±0.030 THREE PLACES (.XXX) ±0.010 ANGLES ±1.0°	This drawing and its contents contains confidential and proprietary information of Precision Planting, Inc. and should not be used or disclosed except as authorized in writing by PrecisionPlanting, Inc.
MATERIAL:	ENGINEER: DAS
DATE: 03/28/2007	SCALE 0.75
MASS LB=[.3]	INCH

PART NAME: METER	Pro 1 Ver:1
JD 7200	SIZE: C
PART NUMBER: 343025	REVISION: 2
INCH	SHEET: 2/2

**Precision Planting, Inc.**

TREMONT, ILLINOIS 61568

