

4

3

2

1

D

D

C

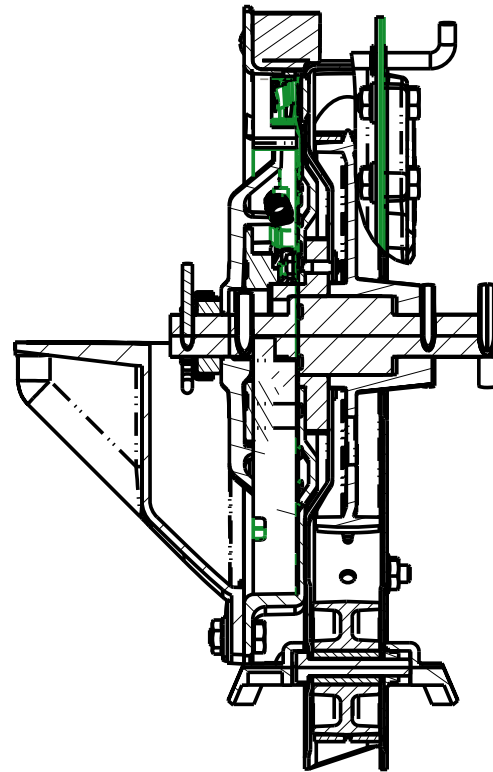
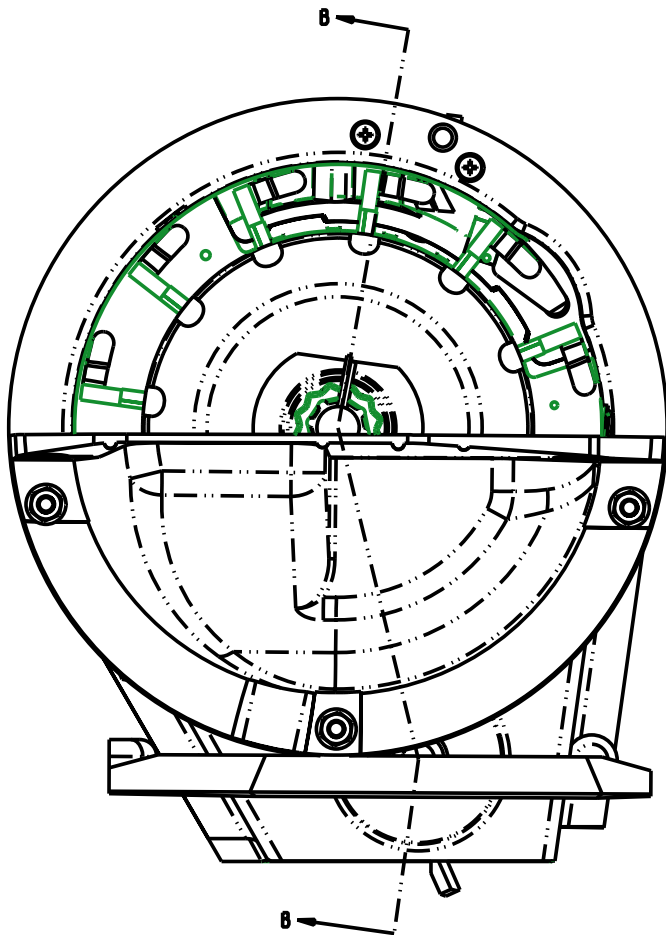
C

B

B

A

A



SECTION B-B

BILL OF MATERIALS			
ITEM	QUANTITY	PART NUMBER	PART NAME
1	3	95001	BOLT
2	3	95002	BOLT
3	2	95003	BOLT
4	1	95009	BOLT
5	1	342103	BACKING PLATE
6	1	343001	ROLLER
7	1	343002	HOUSING AS.
8	1	343005	COVER
9	1	343006	BUSHING
10	1	343011	BEARING AS.
11	1	343014	SKIPSTOP
12	1	343021	COVER
13	1	343029	FINGERSET
14	1	343060	LEVER AS.
15	1	343062	WHEEL
16	1	343066	BELT
17	1	343089	E-CLIP
18	1	3111MT087	PIN
19	1	31114H1041	NUT
20	3	31121H1295	SCREW
21	1	31134H286	ROLL PIN
22	1	31134H314	ROLL PIN
23	1	31134H316	ROLL PIN
24	1	900M08	STICKER
25	1	GD11311	COVER
26	1	GD15698	BOOT
27	9	N10217	WHIZ NUT

NOTE A: THESE PARTS BAGGED SEPARATELY AND SHIPPED WITH THE METER FOR INSTALLATION AT CUSTOMER DISCRETION.

UNSPECIFIED DIMENSIONAL TOLERANCES  
 ONE PLACE (.X) ±0.060  
 TWO PLACES (.XX) ±0.030  
 THREE PLACES (.XXX) ±0.010  
 ANGLES ± 1.0°

MATERIAL:  
 ENGINEER: DAS  
 DATE: 03/26/2007  
 MASS LB=

This drawing and its contents contains confidential and proprietary information of Precision Planting, Inc. and should not be used or disclosed except as authorized in writing by PrecisionPlanting, Inc.

ENGINEER: DAS  
 DATE: 03/26/2007  
 SCALE 0.75

**Precision Planting, Inc.**  
 TREMONT, ILLINOIS 61568

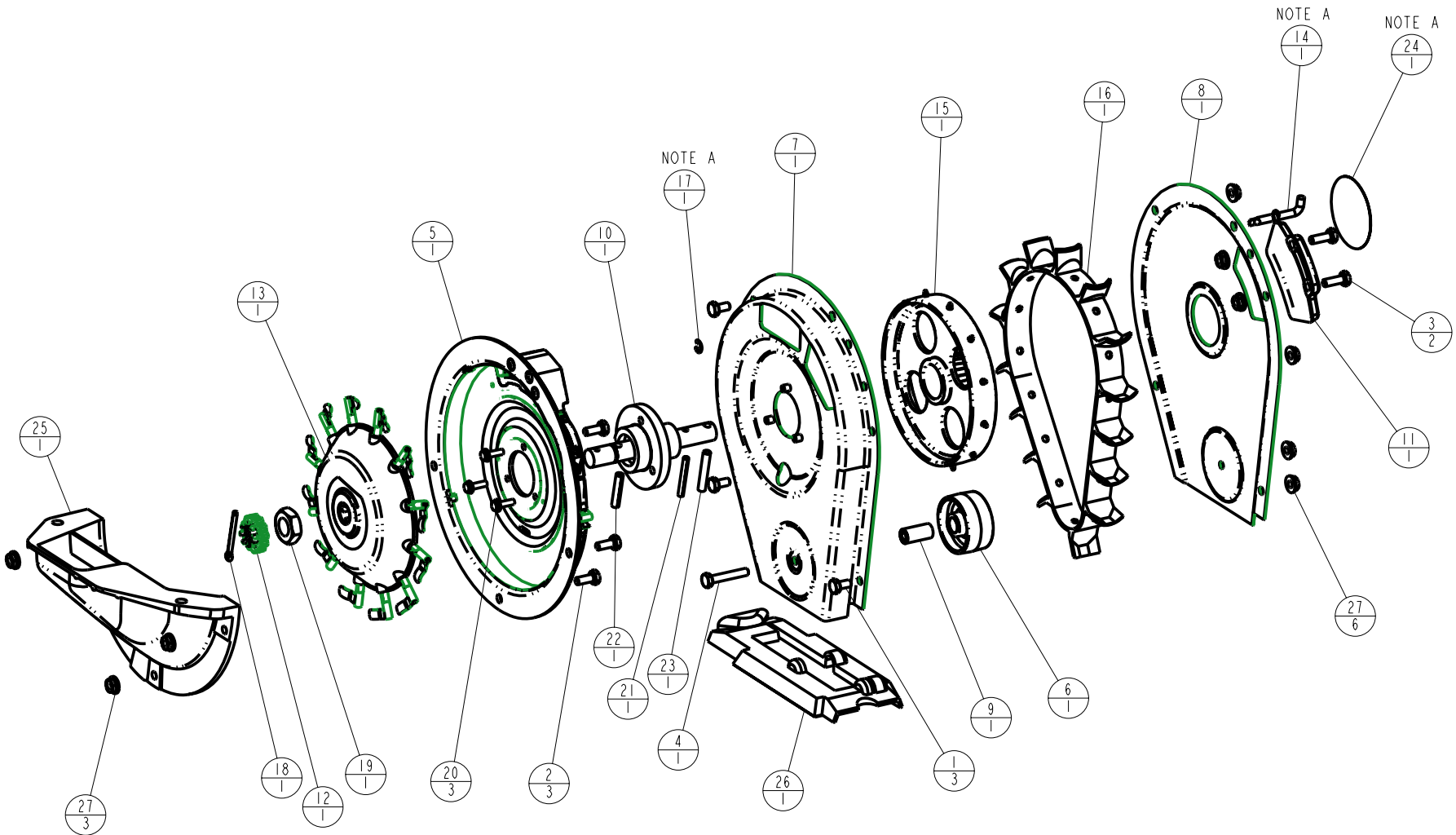
PART NAME: METER (KINZE 3000)	Pro 1 Ver:0
PART NUMBER: 343030	SIZE: C
INCH	REVISION:2
	SHEET: 1/2

4

3

2

1



SCALE 0.400

<small>This drawing and its contents contains confidential and proprietary information of Precision Planting, Inc., and should not be used or disclosed except as authorized in writing by PrecisionPlanting, Inc.</small>	<b>Precision Planting, Inc.</b>		
	TREMONT, ILLINOIS 61568		
	ENGINEER: DAS	PART NAME: METER (KINZE 3000)	Pro 1 Ver:0 SIZE: C
	DATE: 03/26/2007	PART NUMBER: 343030	REVISION: 2
	SCALE 0.75	INCH	SHEET: 2/2