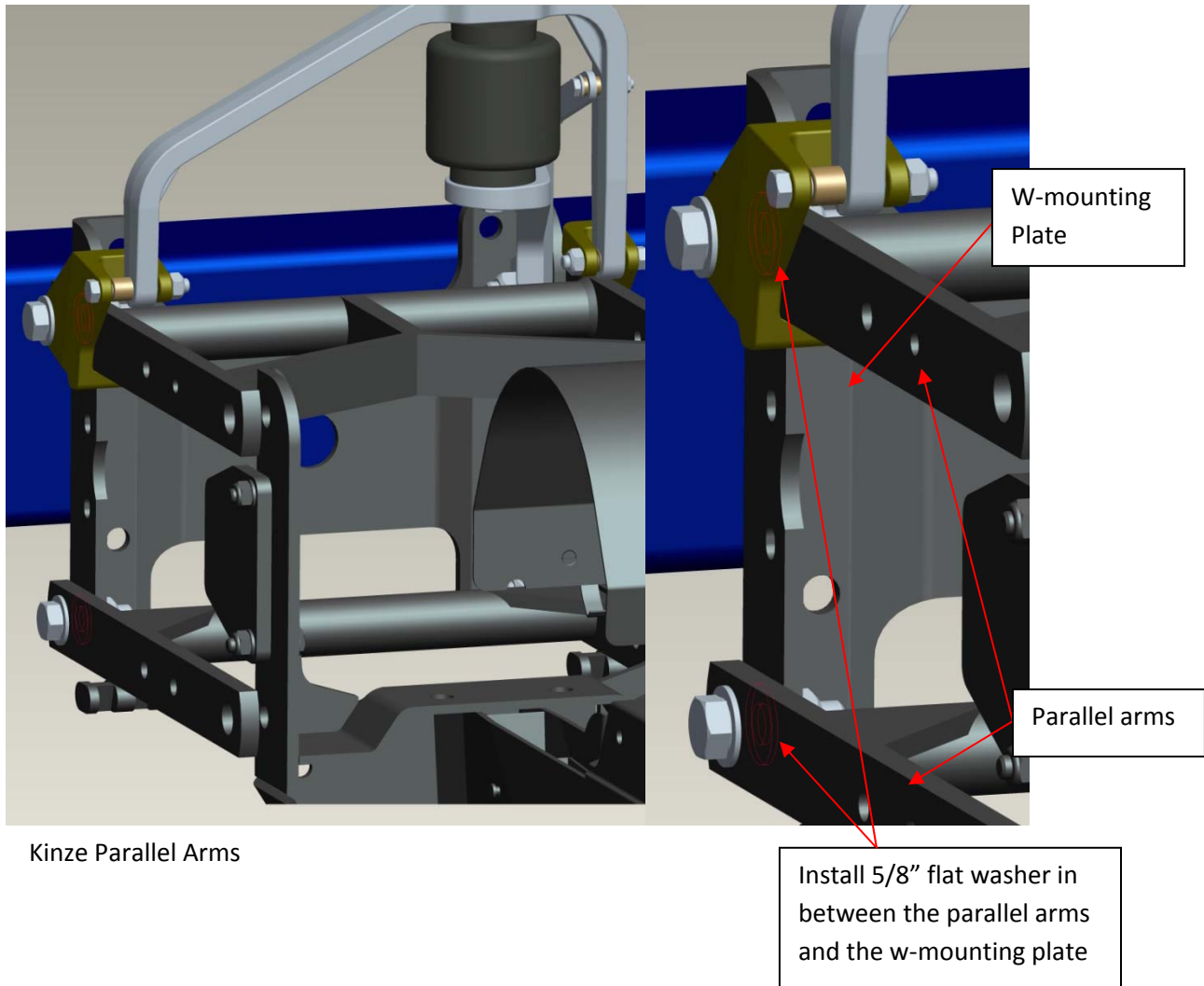


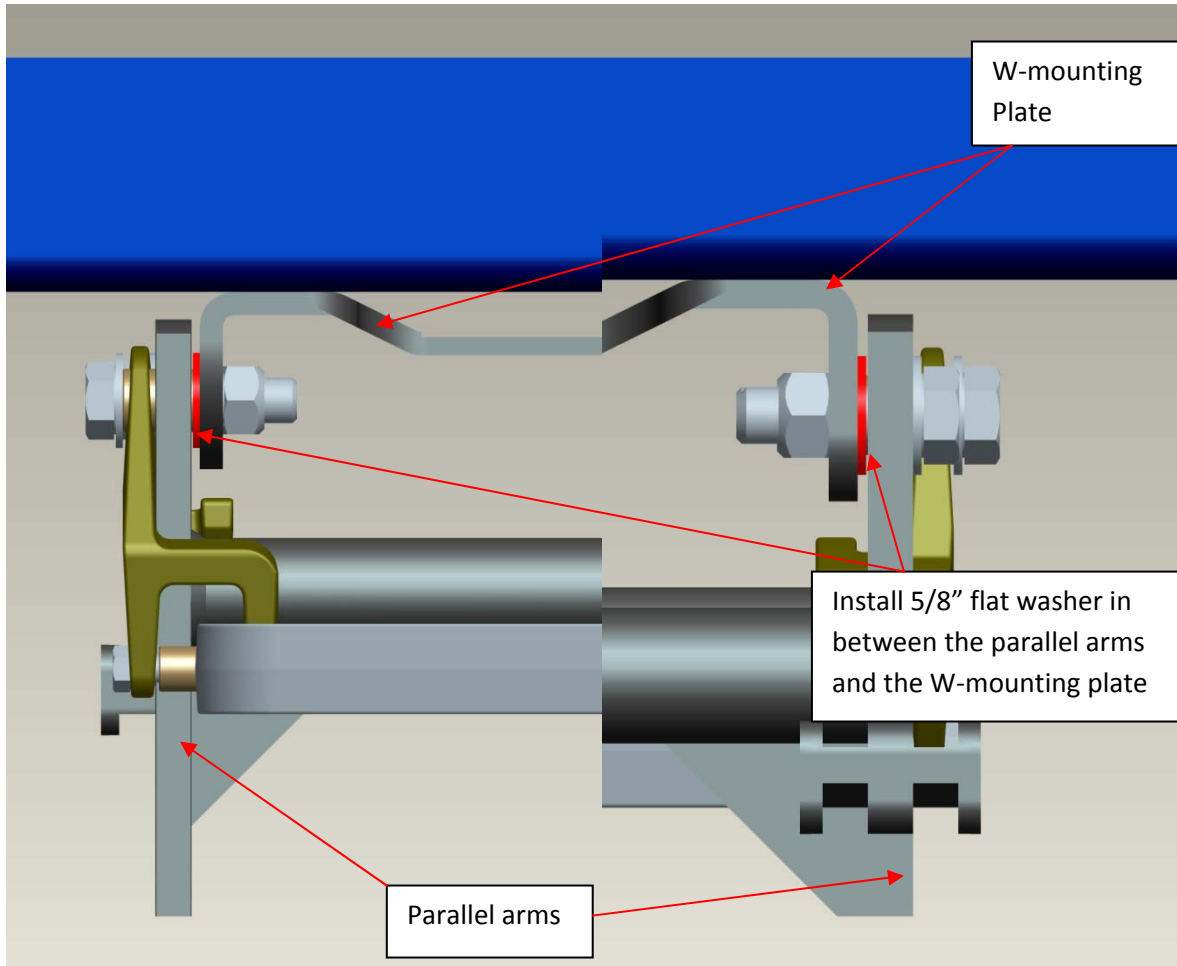
Maintenance Bulletin:
Kinze Push Row Unit Shims Instructions
May 2009



We have discovered on some Kinze push row units that the parallel arms have significant friction where they bolt to the W-mounting plate, which becomes very noticeable after AirForce is installed. To alleviate the “sticking” which this causes, you can simply install 5/8” flat washers on the left side of the row unit, in-between the parallel arms and the W-mounting plate, as shown below.



Kinze Parallel Arms



Top View

Bottom View